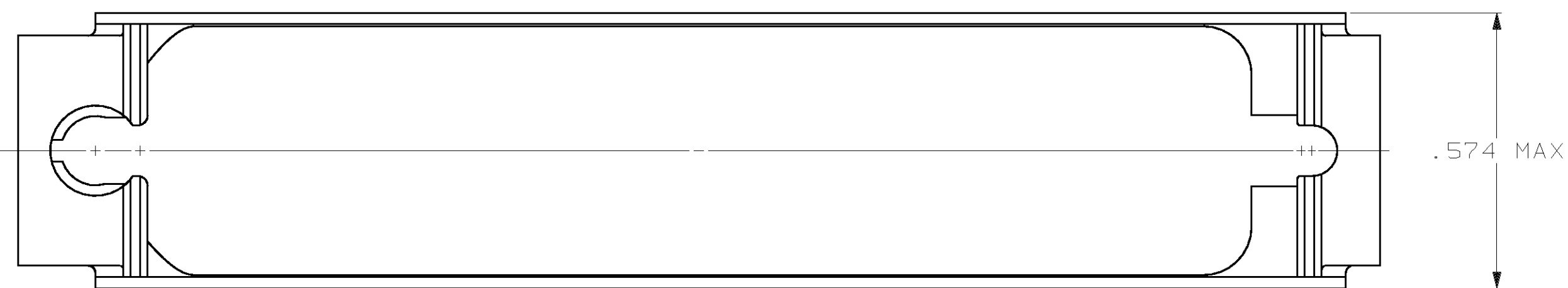
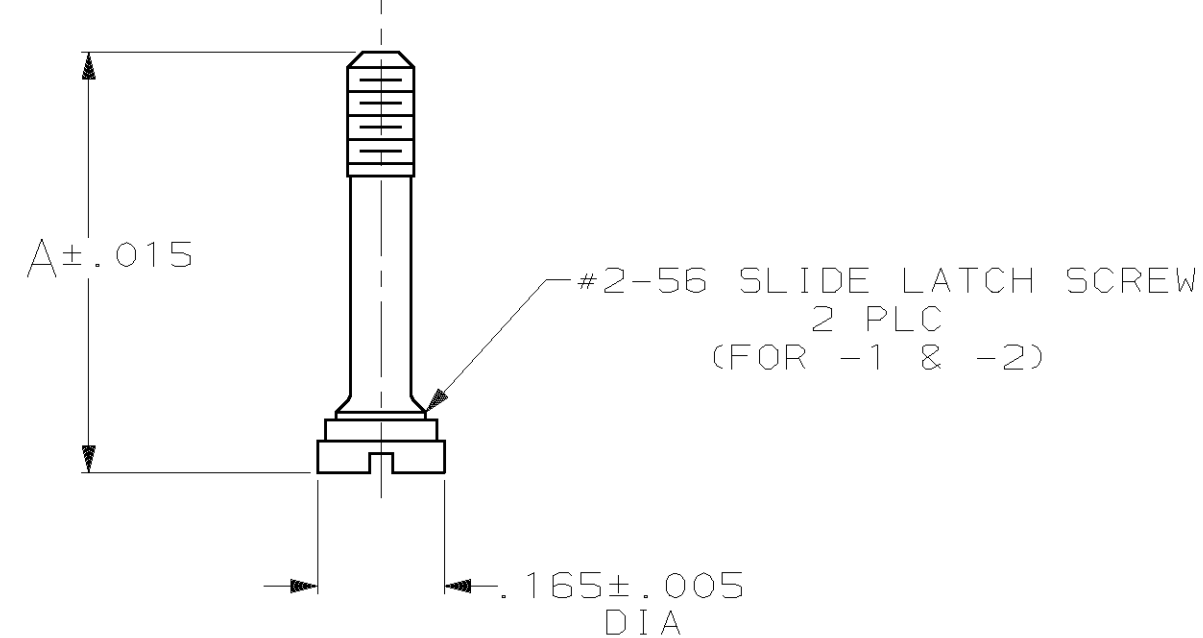
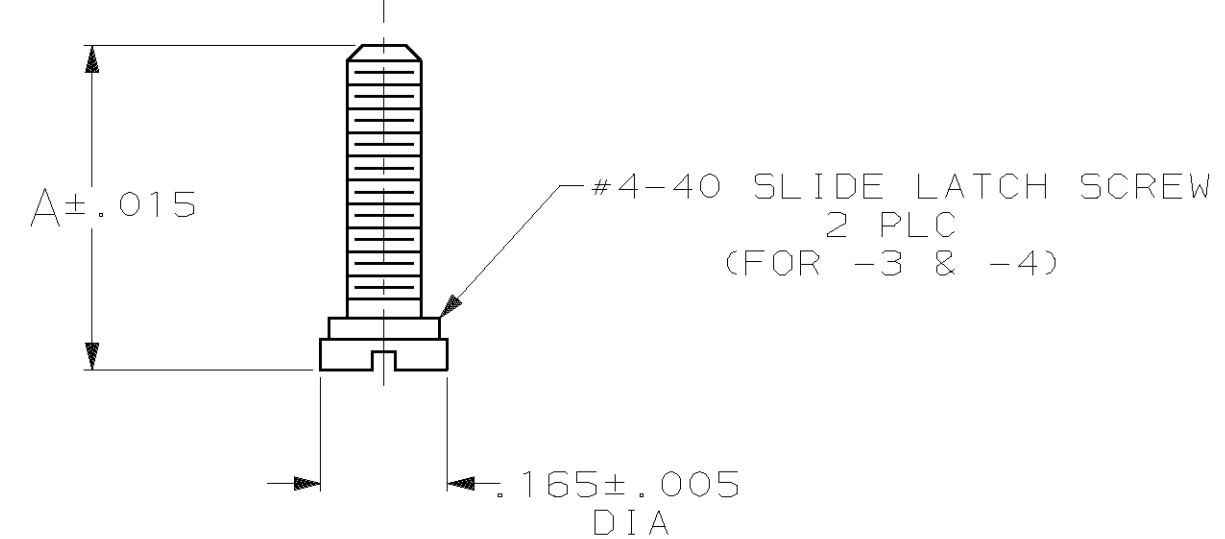
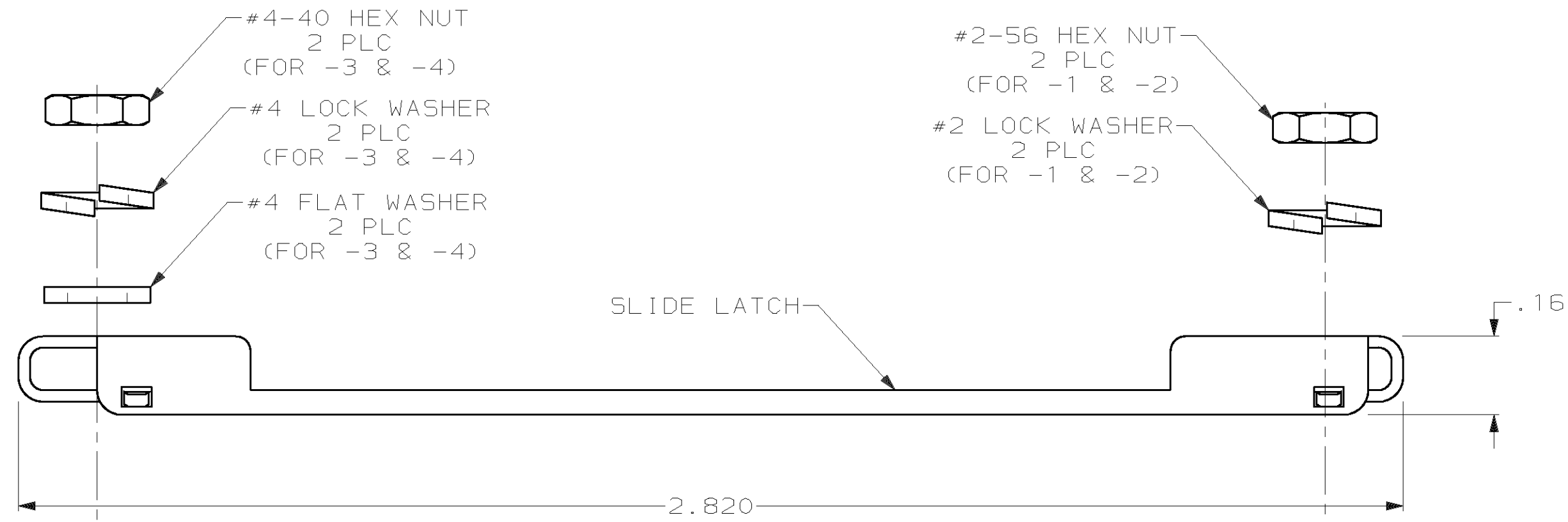


THIS DRAWING IS UNPUBLISHED. RELEASED FOR PUBLICATION, 19 .
 © COPYRIGHT 19 BY AMP INCORPORATED. ALL INTERNATIONAL RIGHTS RESERVED.

LOC	DIST	P	F	ZONE	LTR	DESCRIPTION	DATE	APPD
GP	00							
					H	REV PER 0U1D-0274-00	22 OCT 01	JR
					J	REV PER EC 0UE0-0002-01	10 JAN 02	JR



REVISION	DATE	DESCRIPTION	APPD
1			
2			
3			
4			
5			
6			
7			

1. PARTS PACKAGED UNASSEMBLED.
- 2 PARTS PACKAGED AS A UNIT KIT.
- 3 PARTS INDIVIDUALLY BULK PACKAGED & SHIPPED AS A UNIT PACKAGE.
- 4 ZINC PLATED PER ASTM B633, TYPE III, CLASS SCI, CLEAR CHROMATE.
- 5 ZINC PLATED PER ASTM B633, TYPE II, CLASS SCI, YELLOW CHROMATE.
- 6 THIS KIT CAN BE USED WITH TWO-PIECE STRAIGHT/90° EXIT CABLE CLAMPS, RFI/EMI CABLE CLAMPS OR UNIVERSAL CABLE CLAMPS.
- 7 THIS KIT CAN BE USED WITH STRAIGHT/45° EXIT ONE-PIECE CABLE CLAMPS, STRAIGHT/90° EXIT ONE-PIECE CABLE CLAMPS, OR ON CONNECTORS WITHOUT CABLE CLAMPS.

DO NOT SCALE PRINT. UNLESS SPECIFIED DIMENSIONS IN INCHES TOLERANCES ON :	DR	CHK	APPD	APPD	PRODUCT SPEC	APPLICATION SPEC	WEIGHT	SIZE	FSCM NO	DRAWING NO
2 PLC DEC ± -	8-12-88	8-12-88	8-15-88	8-16-88	-	-	-	C	00779	745578
3 PLC DEC ± .010	L SIPE	W LENKER	R WHYNE	J SHOWERS	-	-	-	SCALE	4:1	SHEET
ANGLES ± -										1 OF 1
MATERIAL										
SLIDE LATCH: STAINLESS STEEL										
HARDWARE: STEEL PER ASTM A108										
FINISH										
HARDWARE: SEE TABLE										

HARDWARE FINISH	THREAD TYPE	PACKAGING	PART NO
A			

AMP | AMP INCORPORATED
Harrisburg, Pa. 17105

NAME
KIT, SLIDE LATCH, SIZE 5,
50 POSITION, AMPLIMITE®

SCALE 4:1
SHEET 1 OF 1